

POOL FLOOD MICRO SLIM 12V/24V DC



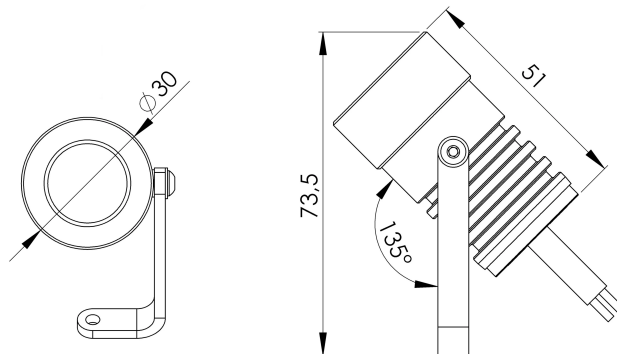
The Pool Flood Micro was designed using modern simulation methods in order to obtain the highest product quality.

- based on CREE® LEDs
- IP68
- made of 316L steel
- 5-year warranty
- 2,5W



Working temperature range	-20°C ÷ +55°C
IP protection class	IP68
Lifetime L80B10	≥ 60 000h
Impact resistance	IK10
Protection class	III
Connection	1,5m
Wiring	H05RN-F 2X0.5
Dimming	ON-OFF/PWM
Luminous flux tolerance	±10%
Angle of distribution	17°, 31°, 39°

TECHNICAL DRAWINGS



POOL FLOOD MICRO SLIM 12V/24V DC

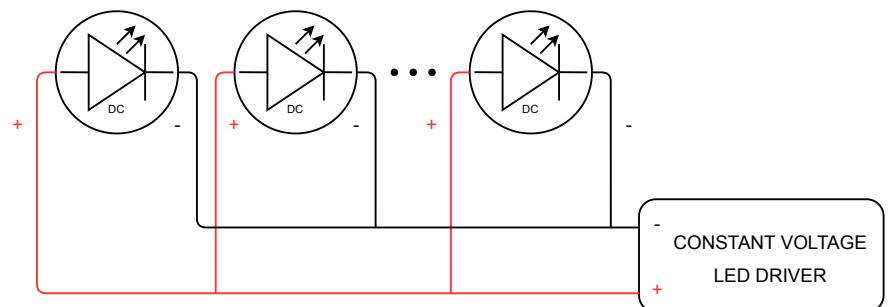


Niviss swimming pool luminaires can be immersed up to a depth of 3 meters and used to light and illuminate :

- swimming pools
- fountains

ELECTRICAL INSTALLATION

Connecting to the power supply should be done when the power supply is off.



ORDER CODE AND TECHNICAL SPECIFICATIONS OF VARIANTS

VARIANT CODES IN THE TABLE BELOW TECHNICAL SPECIFICATIONS OF VARIANTS IN DATASHEET OF VARIANT

ENVIRONMENTAL CAUTION!

It is prohibited to dispose of obsolete and waste electrical and electronic equipment together with regular household wastes. They should be properly sorted and recycled. Old electrical and electronic equipment should be returned to a waste collection point established by a waste-management service. Waste electrical and electronic equipment can be broken down to base materials and then recycled. For more information regarding waste management please contact your local authorities, waste-management service or the seller of electrical and electronic devices.

ORDER CODE AND TECHNICAL SPECIFICATIONS OF VARIANTS

Index	IP protection class	[DEG]	[K]	Lumen Output [lm]	CRI/RA	[W]	Power supply type	Body material	Front material	Front shape
POOL-FLOOD-MICRO-2-VW-17-RD-SS-LV-R	IP68	17	2700	170	≥80	2.5	12V/24V DC	SST	SST	○
POOL-FLOOD-MICRO-2-VW-31-RD-SS-LV-R	IP68	31	2700	170	≥80	2.5	12V/24V DC	SST	SST	○
POOL-FLOOD-MICRO-2-VW-39-RD-SS-LV-R	IP68	39	2700	170	≥80	2.5	12V/24V DC	SST	SST	○
POOL-FLOOD-MICRO-2-WW-17-RD-SS-LV-R	IP68	17	3000	180	≥80	2.5	12V/24V DC	SST	SST	○
POOL-FLOOD-MICRO-2-WW-31-RD-SS-LV-R	IP68	31	3000	180	≥80	2.5	12V/24V DC	SST	SST	○
POOL-FLOOD-MICRO-2-WW-39-RD-SS-LV-R	IP68	39	3000	180	≥80	2.5	12V/24V DC	SST	SST	○
POOL-FLOOD-MICRO-2-NW-17-RD-SS-LV-R	IP68	17	4000	195	≥80	2.5	12V/24V DC	SST	SST	○
POOL-FLOOD-MICRO-2-NW-31-RD-SS-LV-R	IP68	31	4000	195	≥80	2.5	12V/24V DC	SST	SST	○
POOL-FLOOD-MICRO-2-NW-39-RD-SS-LV-R	IP68	39	4000	195	≥80	2.5	12V/24V DC	SST	SST	○
POOL-FLOOD-MICRO-2-CW-17-RD-SS-LV-R	IP68	17	5000	205	≥80	2.5	12V/24V DC	SST	SST	○
POOL-FLOOD-MICRO-2-CW-31-RD-SS-LV-R	IP68	31	5000	205	≥80	2.5	12V/24V DC	SST	SST	○
POOL-FLOOD-MICRO-2-CW-39-RD-SS-LV-R	IP68	39	5000	205	≥80	2.5	12V/24V DC	SST	SST	○